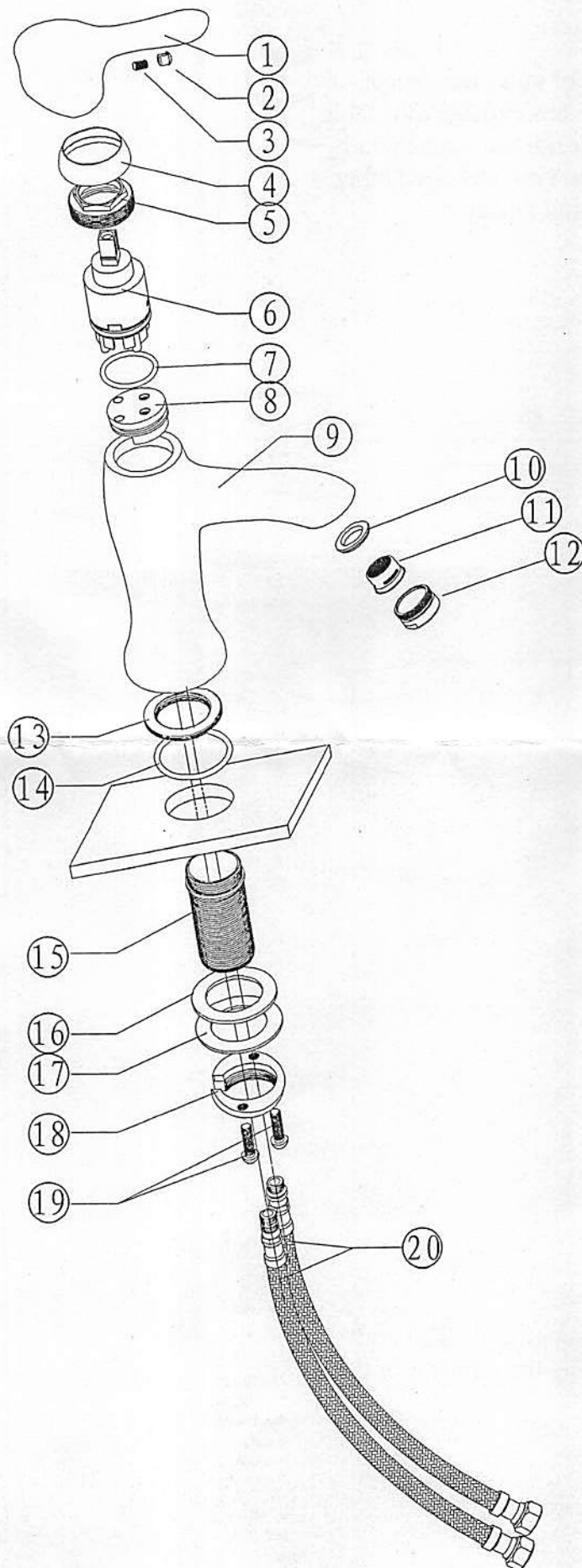
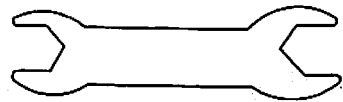
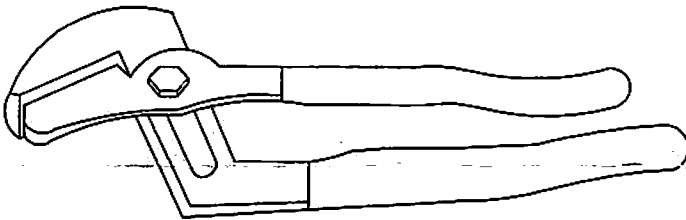
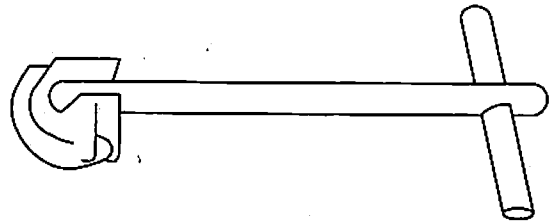
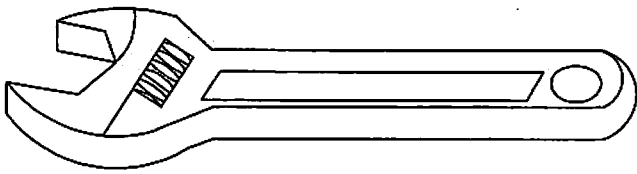


SINGLE HANDLE BASIN FAUCET MODEL:25223

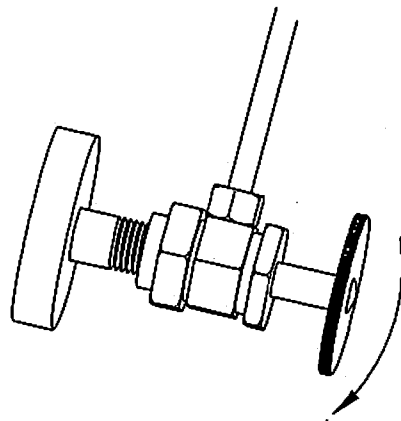


Preparation before installing Faucet

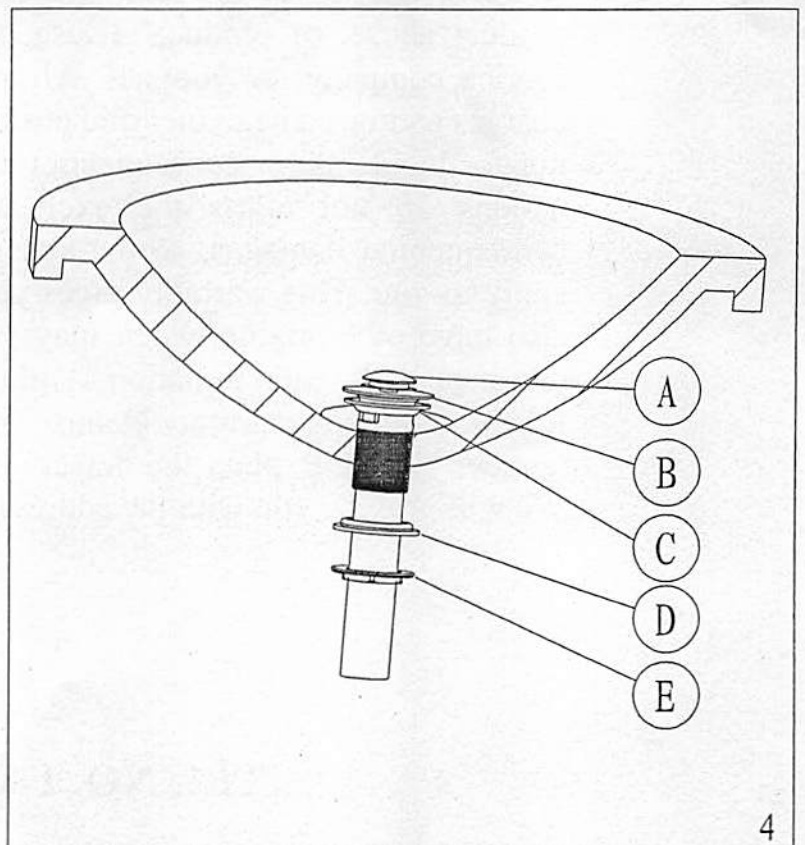
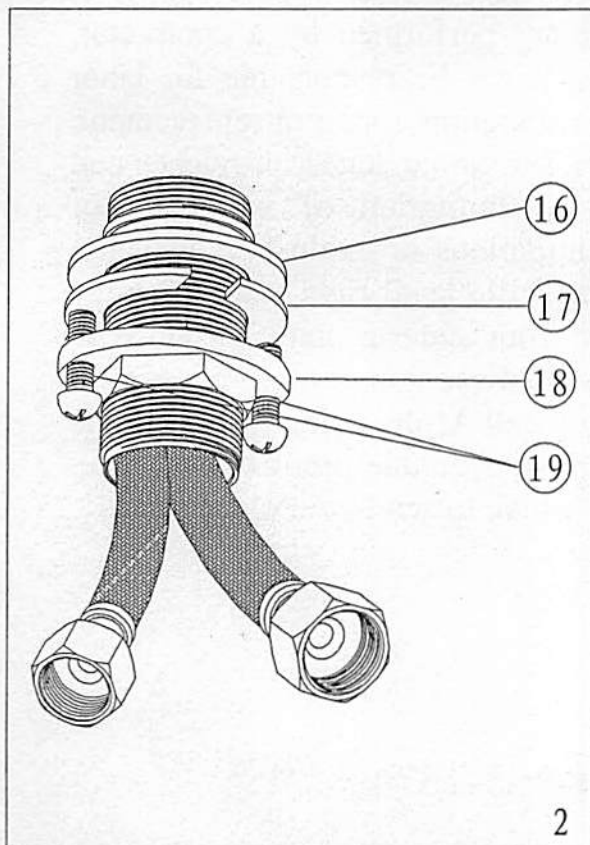
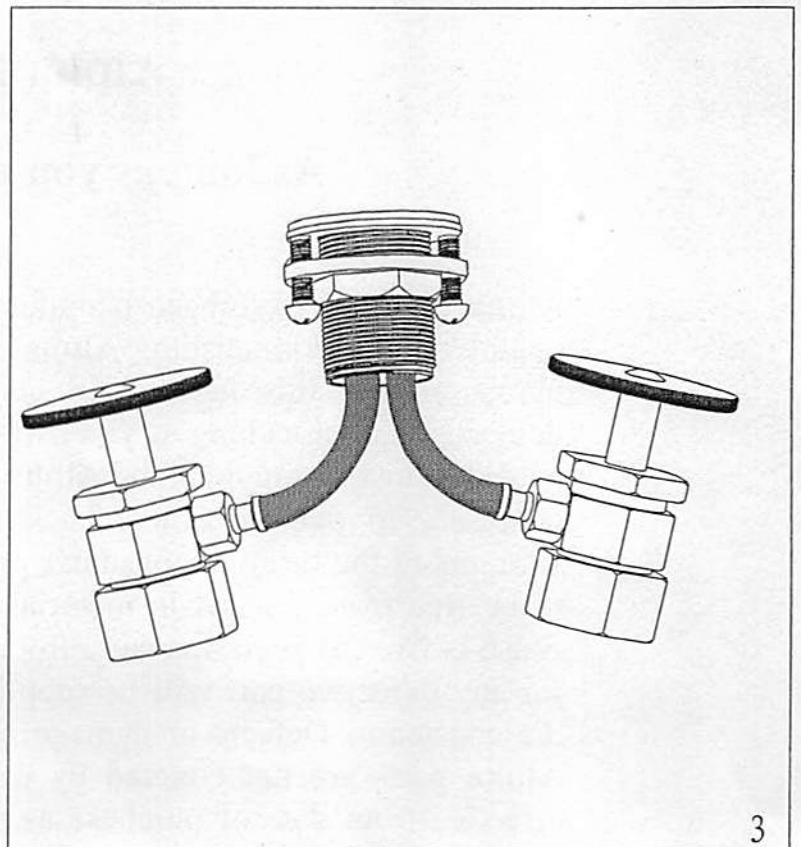
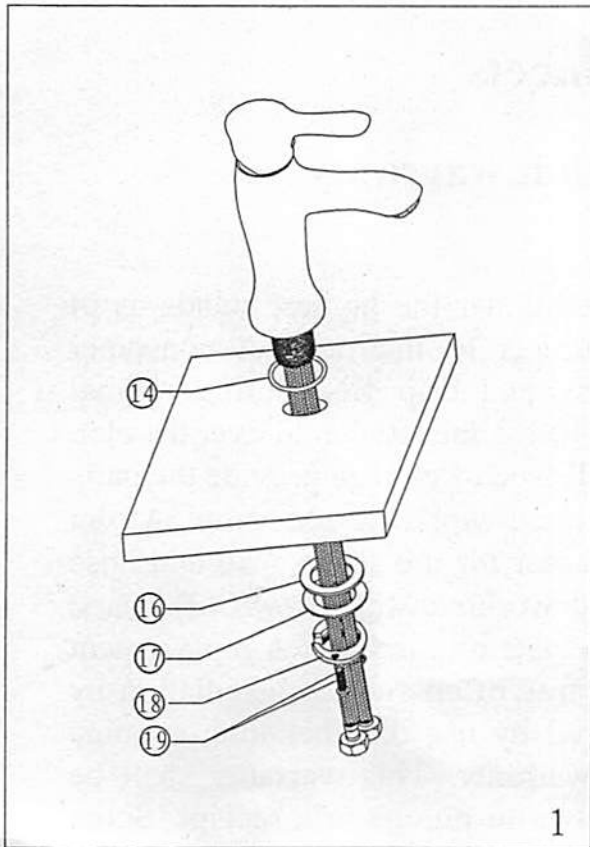
For the installation of your new faucet, you will need these basic tools: Adjustable wrench, channel pliers, basin wrench and Phillips screwdriver. You may need other tools to remove an old faucet.



Turn off the water supplies for Hot and Cold before beginning the removal of the old faucet.



Installation Instruction



Alpha Faucets

As long as you own it warranty

Alpha products have been manufactured under the highest standards of quality and workmanship. Alpha warrants to the original consumer purchaser that this faucet will be leak and drip free during normal domestic use for as long as you own it. If this faucet should ever develop a leak or drip during this time Alpha will free of charge provide the parts necessary to put the faucet back in good working condition. Alpha warrants to the original consumer purchaser for the spray head and hose to be free from defects in material and workmanship is two (2) years, finish is five (5) years warranty from the date of purchase. A replacement for any defective part will be supplied free of charge for installation by the consumer. Defects or damage caused by use of other than genuine Alpha parts are not covered by this warranty. This warranty shall be effective from date of purchase as shown on purchaser's receipt. Some states do not allow limitations on how long an implied warranty lasts, so the above limitation may not apply to you. This warranty is valid for the original consumer purchaser only and excludes industrial, commercial, or business use of the product, product damage due to installation error, product abuse, or product misuse, whether performed by a contractor, service company, or yourself. Alpha will not be responsible for labor charges and/or damage incurred during installation, repair or replacement, nor for incidental or consequential damages. Some states, provinces and nations do not allow the exclusion or limitation of incidental or consequential damages, so the above limitations or exclusions may not apply to you. This warranty gives you specific legal rights and you may also have other rights which may vary from state to state, province to province, and nation to nation. Alpha will advise you of the procedure to follow in making warranty claims. Simply call Alpha using the telephone number below. Explain the defect and have available proof of purchase. We will provide you with the address to which to send your claim.

TEL NO. 1-888-255-2574